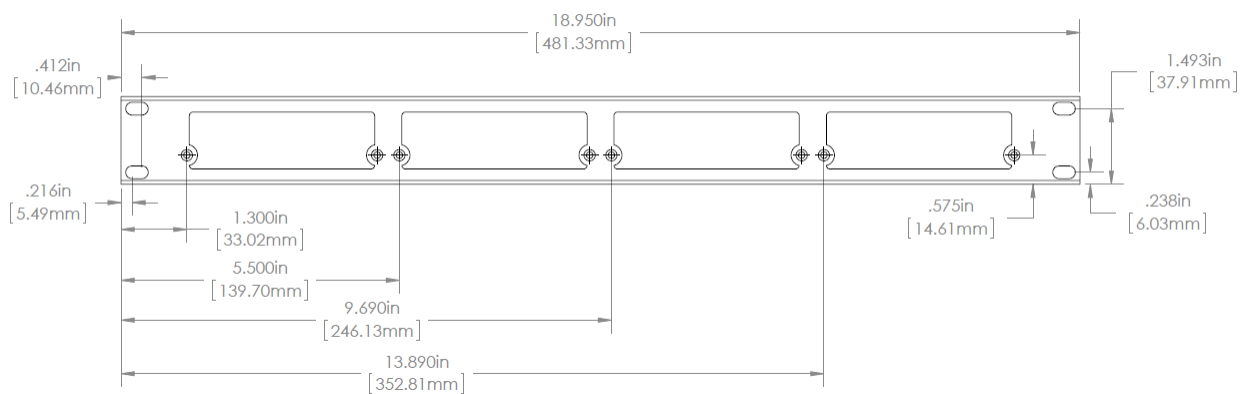


RM4 Rack Mount Kit



STANDARD FEATURES

- > Houses up to 4 Masterclock units
- > Blank panels are supplied for any unused spaces
- > Components can be easily installed or removed in the field

SPECIFICATIONS

Physical

- > Standard 1RU
- > 19 x 1.75 in (48.25 x 4.45 cm)
- > Weight: 6oz (170 g)

SUPPORTED MASTERCLOCK DEVICES

- > CS5-LAN
- > GMR1000
- > GPS500
- > NTD200
- > NTP100GPS
- > NTP1000SC
- > NTP100TC
- > TCA100
- > TCC100
- > TCC500
- > TCD200
- > TCI500
- > TCI-NENA
- > TCO100
- > TCS100

MASTERCLOCK, INC.

5-YEAR LIMITED PARTS & LABOR WARRANTY

MADE IN THE USA

phone (USA and Canada):
1-800-940-2248

phone (international):
+1-636-724-3666

email:
sales@masterclock.com

online:
www.masterclock.com