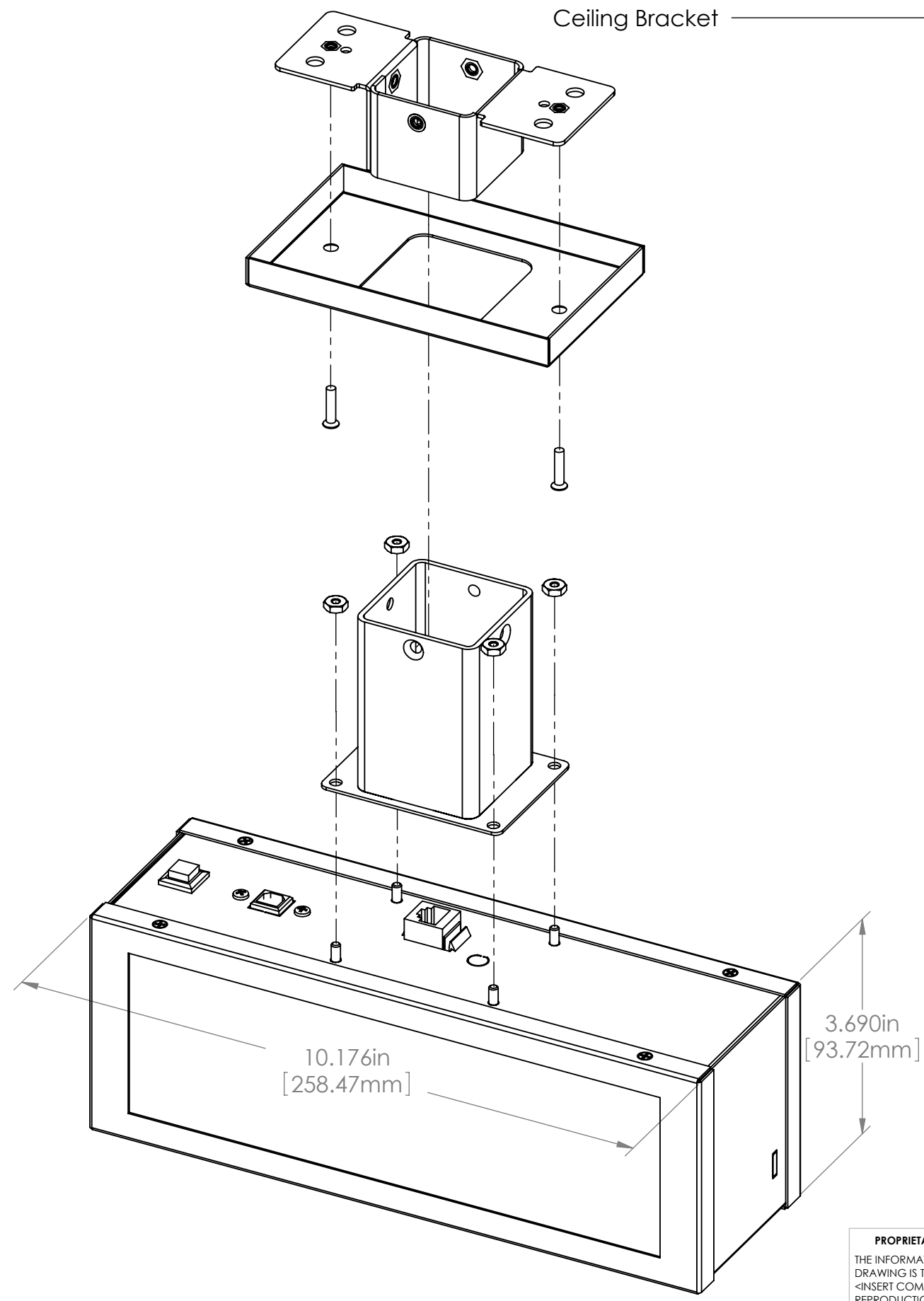


8 7 6 5 4 3 2 1

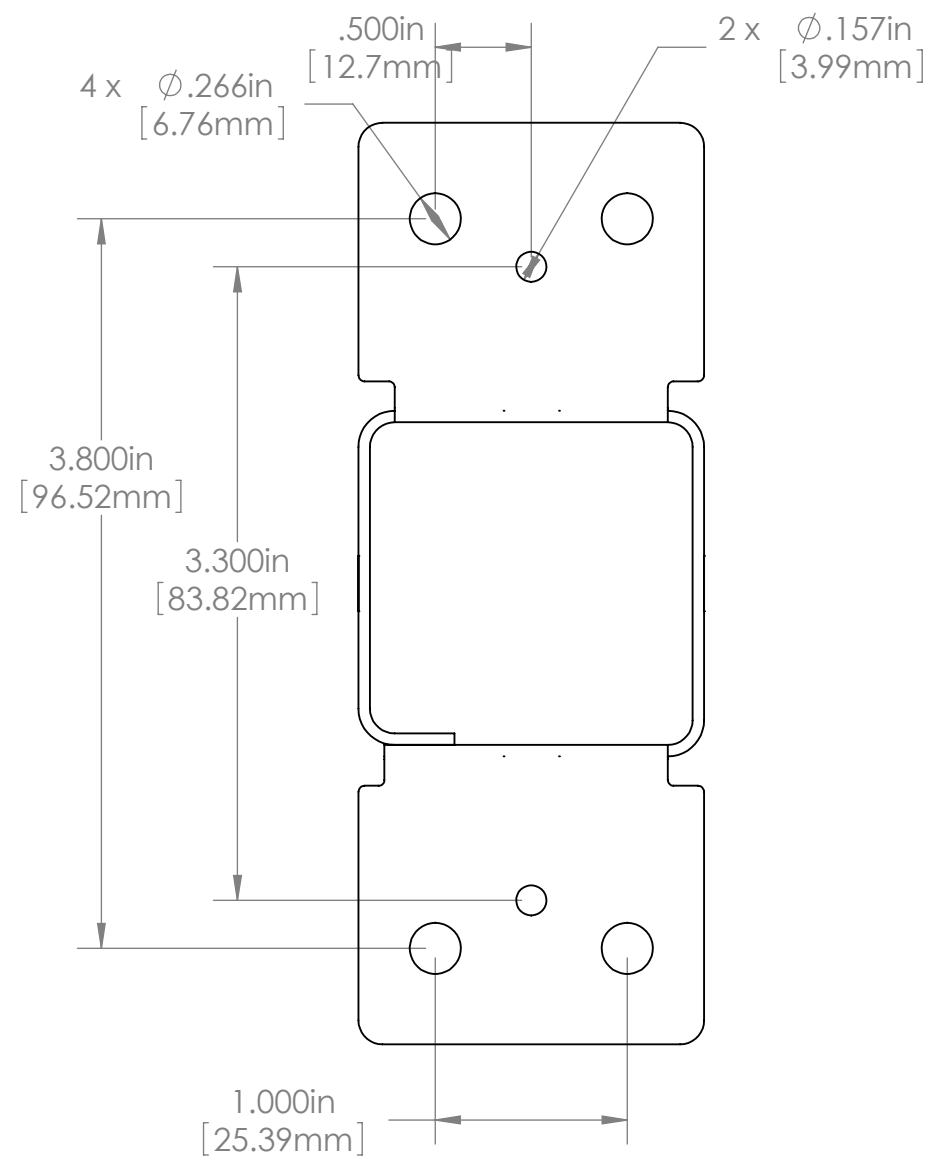
D
C
B
A

D
C
B
A



Ceiling Bracket

Ceiling Bracket
1:1



PROPRIETARY AND CONFIDENTIAL
THE INFORMATION CONTAINED IN THIS DRAWING IS THE SOLE PROPERTY OF <INSERT COMPANY NAME HERE>. ANY REPRODUCTION IN PART OR AS A WHOLE WITHOUT THE WRITTEN PERMISSION OF <INSERT COMPANY NAME HERE> IS PROHIBITED.

		UNLESS OTHERWISE SPECIFIED:		NAME	DATE	Masterclock, Inc.	
		DIMENSIONS ARE IN INCHES TOLERANCES: FRACTIONAL ± ANGULAR: MACH ± BEND ± TWO PLACE DECIMAL ± THREE PLACE DECIMAL ±		DRAWN	srw		
		INTERPRET GEOMETRIC TOLERANCING PER:		CHECKED			TITLE: NTDS24-DF Installation
		MATERIAL		ENG APPR.			SIZE B DWG. NO. NTDS24-DF Installation REV
NEXT ASSY	USED ON	FINISH		MFG APPR.			SCALE: 1:2 WEIGHT: SHEET 1 OF 1
APPLICATION		DO NOT SCALE DRAWING		Q.A.			
				COMMENTS:			

8 7 6 5 4 3 2 1